



HYDRANTS IN STYLE

Lathrop Area Chamber of Commerce Adopt a Fire Hydrant Fundraiser

Adopt a fire hydrant today to raise money for the Chamber of Commerce and to help beautify our city!

Organizations, businesses or citizens are invited to adopt a hydrant. The cost is \$100 for a two-year adoption, if customized. "Customized" means the adopter requests that a certain design be painted on the fire hydrant by a volunteer artist. Non-customized fire hydrants may be adopted for \$50 for two years, with the adopter painting their own approved design or allowing a volunteer artist to choose a design. Residents who adopt a hydrant have first rights to renew the adoption after two years.

Adoption applications available at Goppert Financial Bank, TMS Salon or Gambino's Pizza. Or download at chamberoflathrop.org





Hydrants in Style - Adopt a Hydrant Fundraising Registration Form

Thank you for registering to raise money for the Lathrop Area Chamber of Commerce. Please complete this form to apply for adoption of a City of Lathrop, MO fire hydrant. The Chamber of Commerce reserves the right to refuse any application.

Full Name	
Organization Name (If Applicable) and your position	
Address	
Contact telephone numbers	
Email Address	

Type of Adoption: <input type="checkbox"/> Customized - Requesting a certain design be painted on chosen fire hydrant by a Chamber-volunteer artist. <input type="checkbox"/> Non-customized – Requesting to paint your own (pre-approved) design on chosen fire hydrant OR allowing a Chamber-volunteer artist to choose a design	
Hydrant Location Choice #1:	
Hydrant Location Choice #2:	
Expected No. of participants	
If Adoption choice is “Customized”. Please describe design idea.	

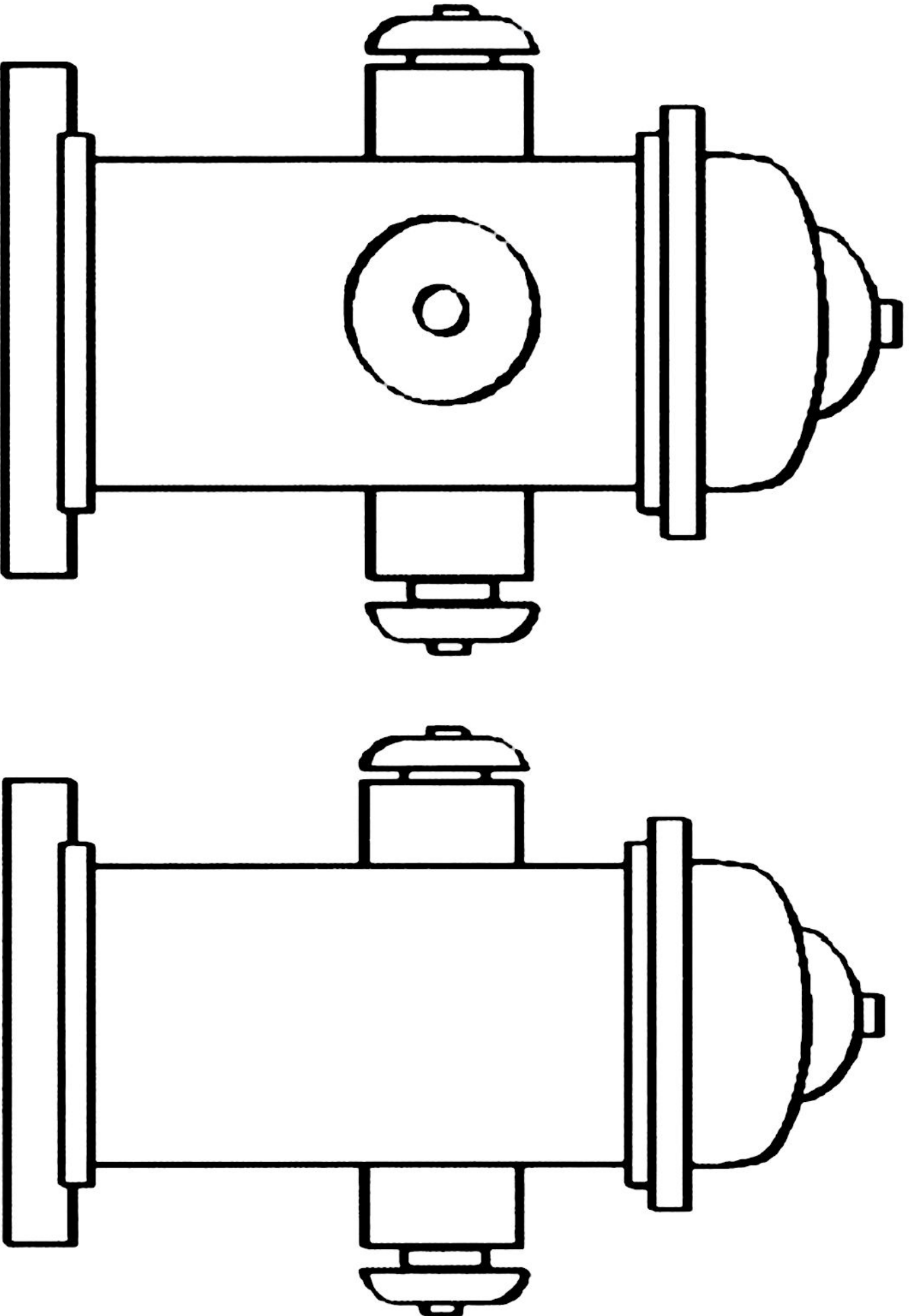
Adopt a Hydrant Fundraiser Rules: Designs cannot be a majority white or black in color. Hydrant designs must be in good taste and family friendly, no politics allowed. The Chamber of Commerce must approve all designs before painting. Any touch up or repainting shall be done by the adopter during the adoption period. Further rules can be added as the Chamber deems necessary.

I agree by signing below that I am agreeing to pay the amount outlined above and I further agree to have any and all hydrant design(s) approved by the Lathrop Area of Chamber of Commerce prior to project completion.

SIGNED: _____ **DATE:** _____

Any questions or issues that may arise should be directed to the Lathrop Area Chamber of Commerce: Rosemary Hoppins 816-914-0501 or Mika Hufford 816-885-9020. **Please complete and return to the below address or email lathropcc@yahoo.com.** Or return completed forms with payment to Goppert Financial Bank, TMS Salon or Gambino’s Pizza.

Lathrop Area Chamber of Commerce; PO Box 448; Lathrop, MO 64465



- DESIGN TEMPLATE -